

SEALING HERMELOCK SPECIAL SEALING



DESCRIPTION

Whenever absolute hermetics sealing is required, Hermelock cover lids can be provided optionally with a special sealing. This sealing is made of an NBR rubber complying with the highest requirements.

ADVANTAGE PRODUCT

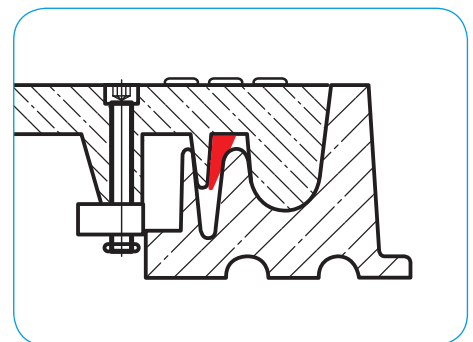
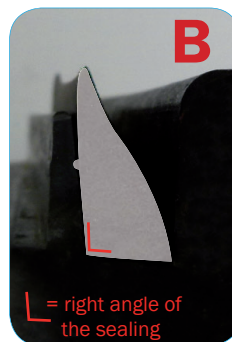
- Full watertightness and gas tightness by putting additional sealing.
- Colour: black.

MATERIAL

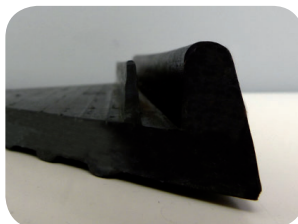
NBR rubber

HOW TO PUT SEALING

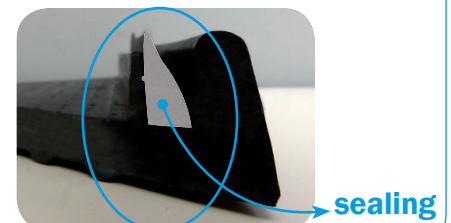
- Sealing to be placed onto bottom side cover as showed on picture.
- Sealing has a profil with 90° angle as showed on picture B.
- Small base sealing to be installed onto bottom side cover (see picture A-B).
- 90° angle sealing to be installed onto small reinforcement lip cover (see picture A-B).
- Now turn cover upside down (since sealing is clipped it will not fall), put into frame, and lock cover.



HERMELOCK COVER WITHOUT HERMETICAL SEALING



HERMELOCK COVER WITH HERMETICAL SEALING



| REFERENCE | NR. D'ARTICLE | KG | PACK. |
|-----------------|---------------|----|-------|
| Joint Hermelock | | | |

Sizes in mm - Weights, sizes and sketch are indicative - Uncontrolled distribution.